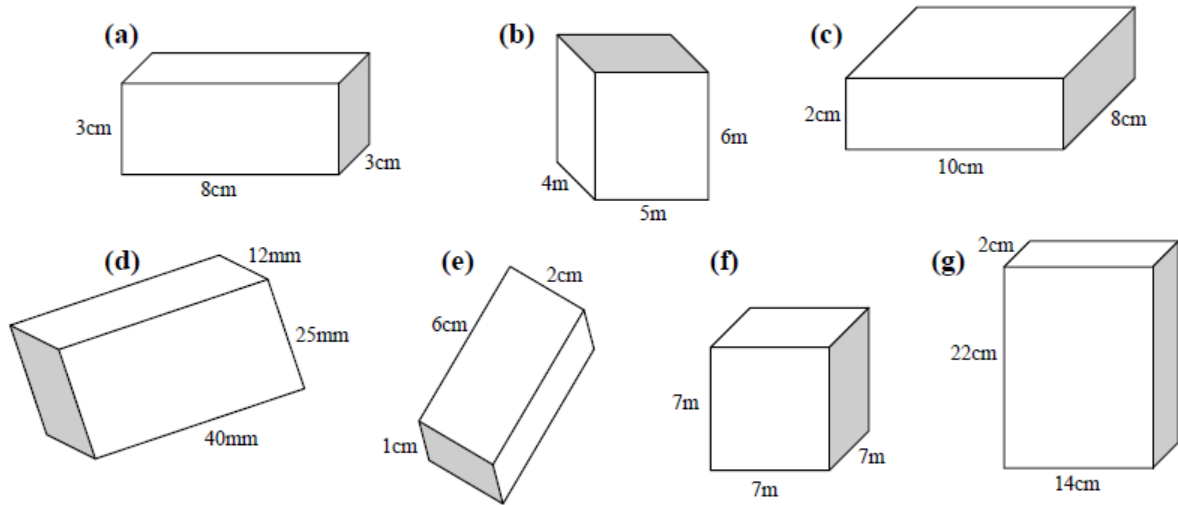
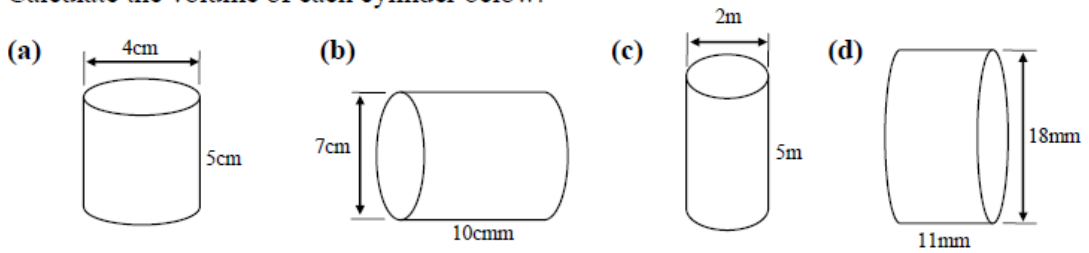


## Volume of Cuboids, Cylinders and other Prisms

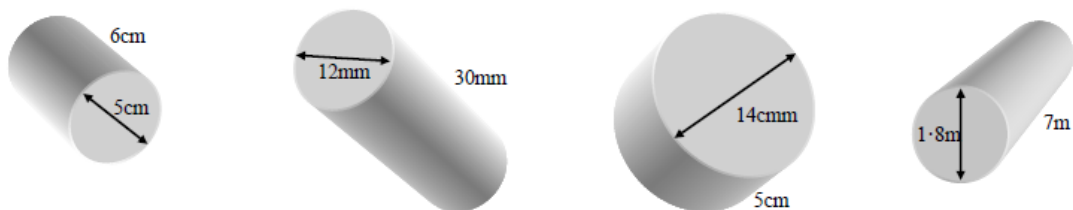
1. Calculate the volume of each of the cuboids below:



2. Calculate the volume of each cylinder below:



3. Calculate the volume of each cylinder below :



4. The area of the base of these prisms is given. Calculate the volume of the prisms.

